



BL 550

Dillon's Basic Loader
Instruction Manual
September 2010

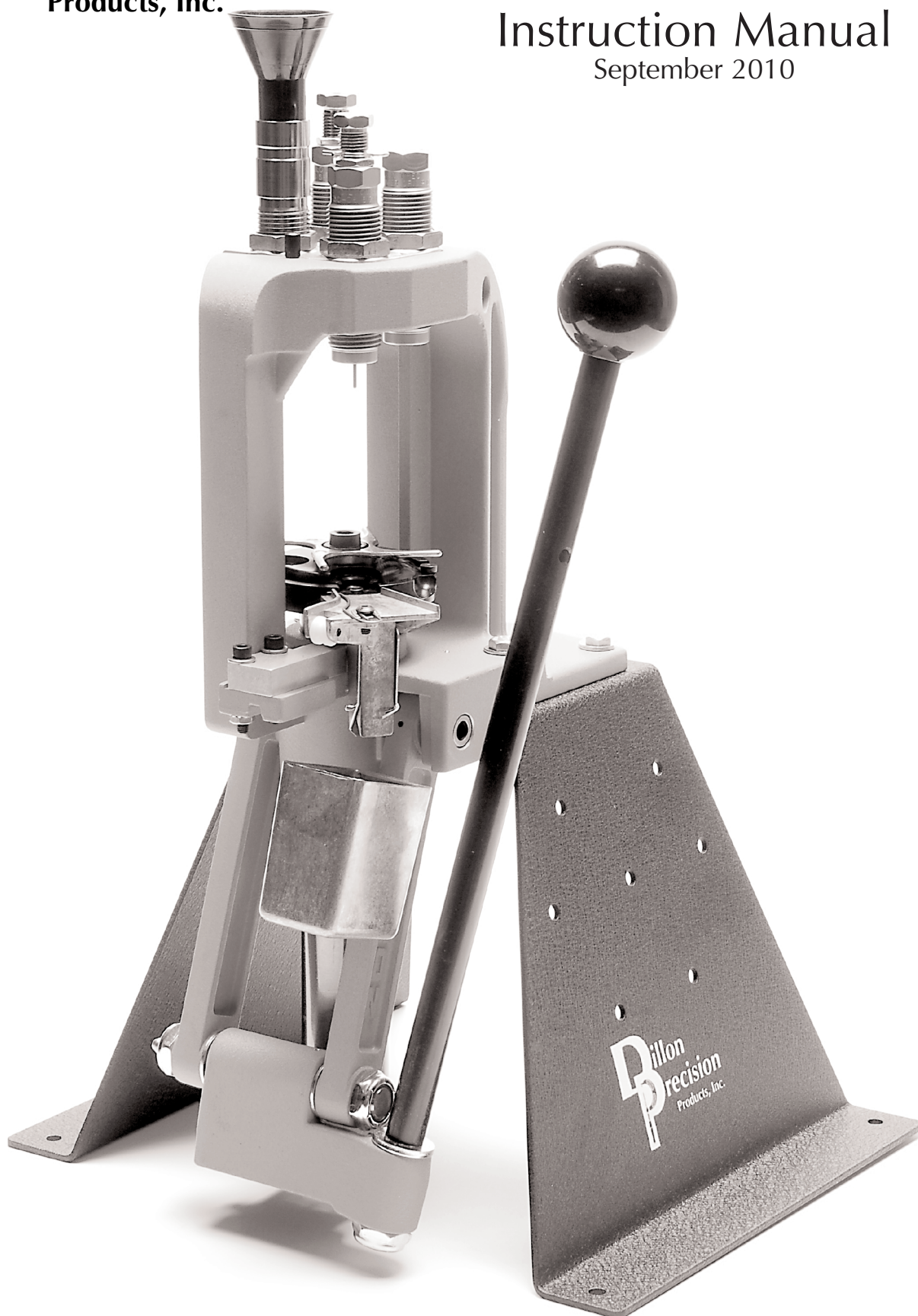


Table of Contents

Subject	Page #
BL 550 Parts List	2
BL 550 Machine Schematic	3
Minimum Equipment to Begin Reloading	4
Reloading Safety	4
Parts List	4
Mounting the BL 550 to Your Bench	5
Configuring the BL 550	5
Installing the Caliber Conversion	6
Changing Primer Size	7
The Toolhead	8
Setting Up to Load Rifle Ammunition	8
Setting Up to Load Pistol Ammunition	11
The Reloading Process	13
BL 550 Upgrades and Accessories	15
Caliber Conversion Charts	16-18
Caliber Cross Reference Chart	15

Dillon Precision Products, Inc.
8009 E. Dillon's Way
Scottsdale, AZ 85260
(480) 948-8009
(480) 998-2786 FAX

For Technical Assistance
or to place an order call: 800-223-4570

For an issue of *The Blue Press*
call: 800-762-3844

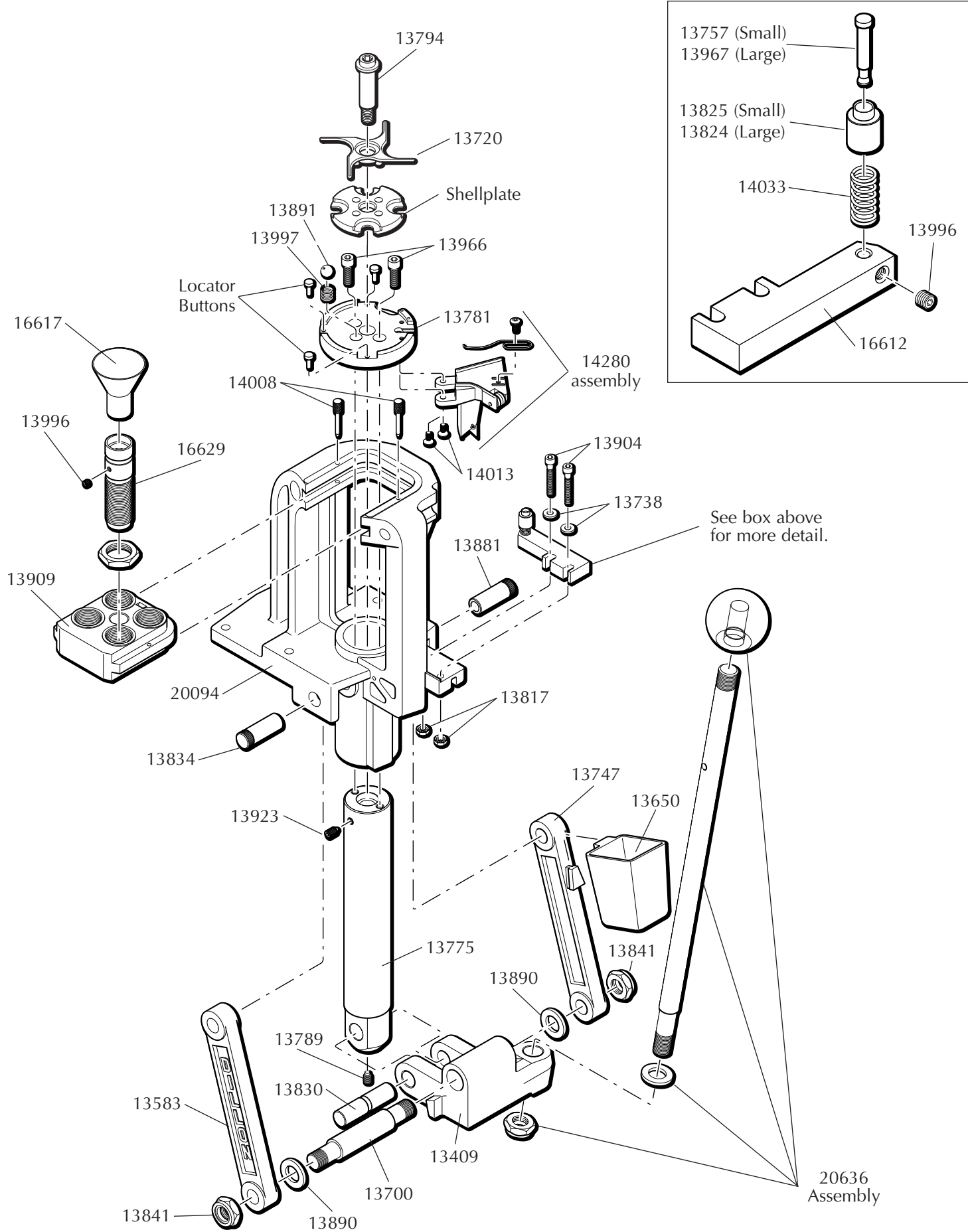
For additional product information,
see our website at:
www.dillonprecision.com

BL 550 Parts List

Part #	Description
13409	Crank
13435	1/4" Hex Wrench
13583	Link Arm, Left
13593	5/32" Hex Wrench
13650	Spent Primer Cup
13700	Link Arm Pin
13720	Index Sprocket
13728	1/8" Hex Wrench
13738	Rod Washer, #10
13747	Link Arm w/ Hook, Right
13757	Seating Punch, Small
13775	Main Shaft
13781	Platform
13789	Main Shaft Pin Set Screw
13794	Shellplate Bolt
13817	10-32 Kep Nut
13824	Primer Cup, Large
13825	Primer Cup, Small
13830	Main Shaft Pivot Pin
13834	Solid Link Arm Pin, Left
13841	Nylock Nut
13881	Hollow Link Arm Pin, Right
13886	3/32" Hex Wrench
13890	Spring Washer
13891	Index Ball
13904	Bellcrank Bolt
13909	Toolhead
13923	Brass Tip Set Screw
13966	Platform Mount Bolt
13967	Seating Punch, Large
13996	10-32 x 3/16 Set Screw
13997	Index Ball Spring
14008	Toolhead Pin
14013	Roller Bracket Screw
14033	Primer Cup Spring
14280	Roller Bracket Assembly
13719	Cartridge Spring Screw
13926	Cartridge Spring
16609	Conversion Kit
16612	Primer Punch Holder
16617	Plastic Funnel
16629	Powder Die
20094	Frame
20636	Handle, Knob & Nut Assembly

Not all items are shown in schematic illustration.

BL 550 Schematic



BL 550, RL 450 & RL 550B Caliber Conversion Chart

Kits include shellplate, locator buttons and flow-thru powder funnel.

Handgun-Caliber Conversions

.22 Remington Jet - # 20165

#2 Shellplate - # 13751
#A Powder Funnel - # 13426
#2 Locator Pin - # 14062

.30 Luger, .30 Mauser - # 20175

#5 Shellplate - # 13743
#C Powder Funnel - # 13564
#3 Locator Pin - # 14060

.32 ACP, .32 Short Colt - # 20160

#J Shellplate - # 13136
#S Powder Funnel - # 12845
#8 Locator Pin - # 14048

.32 S&W Long, .32 H&R Magnum - # 20146

#D Shellplate - # 13092
#S Powder Funnel - # 12845
#3 Locator Pin - # 14060

.32-20 Winchester - # 20177

#O Shellplate - # 12013
#S Pistol Powder Funnel - # 12845
#3 Locator Pin - # 14060

.380 ACP - # 20133

#3 Shellplate - # 13684
#F Powder Funnel - # 13806
#3 Locator Pin - # 14060

9x18 Makarov - # 21656

#5 Shellplate - # 13743
#9 Powder Funnel - # 14980
#3 Locator Pin - # 14060

9mm, .38 Super - # 20127

#5 Shellplate - # 13743
#F Powder Funnel - # 13806
#3 Locator Pin - # 14060

9x25 Dillon, .357 Sig - # 21526

#5 Shellplate - # 13743
#F Powder Funnel - # 13806
#2 Locator Pin - # 14062

.38 S&W - # 20159

#U Shellplate - # 12944
#F Powder Funnel - # 13806
#2 Locator Pin - # 14062

.38 AMU - # 20278

#O Shellplate - # 12013
#D Powder Funnel - # 13599
#3 Locator Pin - # 14060

.38 Special, .357 Mag, .38 LC - # 20132

#2 Shellplate - # 13751
#D Powder Funnel - # 13599
#2 Locator Pin - # 14064

.38-40 Winchester - # 20178

#N Shellplate - # 10004
#W Pistol Powder Funnel - # 13600
#4 Locator Pin - # 14047

.40 S&W, 10mm - # 20179

#5 Shellplate - # 13743
#W Powder Funnel - # 13600
#2 Locator Pin - # 14062

.40 Super, .400 CorBon - # 20129

#1 Shellplate - # 13692
#W Powder Funnel - # 13600
#1 Locator Pin - # 13930

.41 Action Express - # 20277

#5 Shellplate - # 13743
#H Powder Funnel - # 13240
#3 Locator Pin - # 14060

.41 Magnum - # 20135

#6 Shellplate - # 13120
#H Powder Funnel - # 13240
#1 Locator Pin - # 13930

.44-40 Winchester - # 20206

#N Shellplate - # 10004
#.44-40 Pistol Powder Funnel - # 13600
#4 Locator Pin - # 14047

.44 Magnum, Special, Russian, Colt - # 20136

#4 Shellplate - # 13610
#G Powder Funnel - # 13427
#4 Locator Pin - # 14047

.45 ACP - # 20126

#1 Shellplate - # 13692
#E Powder Funnel - # 13782
#1 Locator Pin - # 13930

.45 Auto Rim - # 20158

#H Shellplate - # 13010
#E Powder Funnel - # 13782
#4 Locator Pin - # 14047

.45 Colt, .45 S&W, .454 Casull, .455 Webley - # 20137

#C Shellplate - # 13334
#E Powder Funnel - # 13782
#4 Locator Pin - # 14047

.45 Winchester Magnum - # 20221

#L Shellplate - # 12703
#E Powder Funnel - # 13782
#1 Locator Pin - # 13930

.460 S&W - # 20888

#C Shellplate - # 13334
#.460 S&W Powder Funnel - # 18949
#4 Locator Pin - # 14047

.475 Linebaugh, .480 Ruger - # 20116

#G Shellplate - # 13313
#.475/480 Ruger Powder Funnel - # 10723
#7 Locator Pin - # 13436
(Requires Extra Large Powder Die - # 21253)

.50 Action Express - # 21428

#50 Shellplate - # 13147
#50 Act Ex Powder Funnel - # 14465
#4 Locator Pin - # 14047
(Requires Extra Large Powder Die - # 21253)

.500 S&W Magnum - # 20121

#B Shellplate - # 13347
#50 Act Ex Powder Funnel - # 14465
#6 Locator Pin - # 15755
(Requires Extra Large Powder Die - # 21253)

Rifle-Caliber Conversions

.17 Remington - # 20203

#3 Shellplate - # 13684
#O Powder Funnel - # 12921
#3 Locator Pin - # 14060

.204 Ruger - # 20307

#3 Shellplate - # 13684
#204 Rifle Powder Funnel - # 20322
#3 Locator Pin - # 14060

.218 Bee - # 20151

#O Shellplate - # 12013
#A Powder Funnel - # 13426
#3 Locator Pin - # 14060

.219 Zipper, .22 Savage - # 20180

#7 Shellplate - # 12501
#A Powder Funnel - # 13426
#4 Locator Pin - # 14047

.22 Hornet - # 20150

#E Shellplate - # 12957
#A Powder Funnel - # 13426
#8 Locator Pin - # 14048

.22 PPC - # 20182

#A Shellplate - # 13211
#A Powder Funnel - # 13426
#2 Locator Pin - # 14062

.22 Bench Rest, .22-250 - # 20145

#1 Shellplate - # 13692
#A Powder Funnel - # 13426
#1 Locator Pin - # 13930

.220 Swift, .225 Winchester - # 20154

#L Shellplate - # 12703
#L Powder Funnel - # 10831
#1 Locator Pin - # 13930

.223, .222, .221 Remington - # 20128

#3 Shellplate - # 13684
#A Powder Funnel - # 13426
#3 Locator Pin - # 14060

.223 WSSM - # 20676

#B Shellplate - # 13347
#223 Short Mag. Rifle Powder Funnel - # 18417
#6 Locator Pin - # 15755
(Requires XL Powder Die #21253)

.224 Weatherby Magnum - # 20235

#A Shellplate - # 13211
#A Powder Funnel - # 13426
#2 Locator Pin - # 14062

.243, .244, 6mm, .240 Wby - # 20192

#1 Shellplate - # 13692
#1 Powder Funnel - # 13305
#1 Locator Pin - # 13930

.243 WSSM - # 20316

#B Shellplate - # 13347
#243 Short Mag. Rifle Powder Funnel - # 11156
#6 Locator Pin - # 15755
(Requires XL Powder Die #21253)

.25 Remington - # 20233

#R Shellplate - # 13497
#K Powder Funnel - # 13216
#2 Locator Pin - # 14062

.25 WSSM - # 20315

#B Shellplate - # 13347
#.25 Short Mag. Rifle Powder Funnel - # 11157
#6 Locator Pin - # 15755
(Requires XL Powder Die #21253)

.25-20 Winchester - # 20176

#O Shellplate - # 12013
#R Powder Funnel - # 13243
#3 Locator Pin - # 14060

.25-06, .250, .257 Roberts, Ackley - # 20147

#1 Shellplate - # 13692
#K Powder Funnel - # 13216
#1 Locator Pin - # 13930

.25-35 Winchester - # 20197

#7 Shellplate - # 12501
#K Powder Funnel - # 13216
#4 Locator Pin - # 14047

.256 Winchester Magnum - # 20215

#2 Shellplate - # 13751
#R Powder Funnel - # 13243
#4 Locator Pin - # 14047

.257 Weatherby Magnum - # 20199

#B Shellplate - # 13347
#K Powder Funnel - # 13216
#4 Locator Pin - # 14047

BL 550, RL 450 & RL 550B Caliber Conversion Chart

Kits include shellplate, locator buttons and flow-thru powder funnel.

6mm Bench Rest - # 20276

#1 Shellplate - # 13692
#6 PPC Rifle Powder Funnel - # 13085
#1 Locator Pin - # 13930

6mm PPC - # 20265

#A Shellplate - # 13211
#6 PPC Rifle Powder Funnel - # 13085
#2 Locator Pin - # 14062

6mm TCU - # 20252

#3 Shellplate - # 13684
#6 PPC Rifle Powder Funnel - # 13085
#3 Locator Pin - # 14060

.264 Win Mag, 6.5 Rem - # 20210

#B Shellplate - # 13347
#Y Powder Funnel - # 12870
#4 Locator Pin - # 14047

6.5 x 54 Man-Scho - # 20208

#M Shellplate - # 13230
#Y Powder Funnel - # 12870
#2 Locator Pin - # 14062

6.5 Arisaka - # 20209

#L Shellplate - # 12703
#Y Powder Funnel - # 12870
#1 Locator Pin - # 13930

6.5 Grendel - # 20894

#A Shellplate - # 13211
#6.5 Grendel Powder Funnel - # 18947
#2 Locator Pin - # 14062

6.5 x 55, 6.5 x 57, .260 Rem - # 20207

#1 Shellplate - # 13692
#Y Powder Funnel - # 12870
#1 Locator Pin - # 13930

6.5 x 57R - # 20269

#N Shellplate - # 10004
#Y Powder Funnel - # 12870
#4 Locator Pin - # 14047

6.5 x 68 - # 20267

#P Shellplate - # 13134
#Y Powder Funnel - # 12870
#4 Locator Pin - # 14047

6.8 SPC - # 20323

#R Shellplate - # 13497
#N Powder Funnel - # 13014
#2 Locator Pin - # 14062

7mm Merrill - # 20230

#L Shellplate - # 12703
#N Rifle Powder Funnel - # 13014
#1 Locator Pin - # 13930

7mm TCU - # 20141

#3 Shellplate - # 13684
#N Rifle Powder Funnel - # 13014
#3 Locator Pin - # 14060

7-30 Waters - # 20223

#7 Shellplate - # 12501
#N Rifle Powder Funnel - # 13014
#4 Locator Pin - # 14047

7mm Bench Rest - # 20216

#1 Shellplate - # 13692
#N Powder Funnel - # 13014
#1 Locator Pin - # 13930

7 x 57 R, 7 x 65 R - # 20268

#N Shellplate - # 10004
#J Powder Funnel - # 13456
#4 Locator Pin - # 14047

7mm Rem Mag, 7mm STW - # 20140

#B Shellplate - # 13347
#J Powder Funnel - # 13456
#4 Locator Pin - # 14047
(Requires Magnum Powder Bar # 21353)

7mm RUM - # 20682

#B Shellplate - # 13347
#7mm Mag Powder Funnel - # 15019
#6 Locator Pin - # 15755
(Requires Extra Large Powder Die # 21253)
(Requires Belted Magnum Powder System # 97126)

.270 WSM, 7mm WSM, 7mm RSAUM - # 20122

#B Shellplate - # 13347
#7mm Short Mag Powder Funnel - # 18416
#6 Locator Pin - # 15755
(Requires XL Powder Die # 21253)
(Requires Magnum Powder Bar # 21353)

7.5 x 55 - # 20432

#L Shellplate - # 12703
#B Powder Funnel - # 13587
#1 Locator Pin - # 13930

.270 Win, 7 x 57, .284 Win - # 20142

#1 Shellplate - # 13692
#J Powder Funnel - # 13456
#1 Locator Pin - # 13930

.30 Herrett - # 20214

#7 Shellplate - # 12501
#AK Rifle Powder Funnel - # 13015
#4 Locator Pin - # 14047

.30 Merrill - # 20231

#L Shellplate - # 12703
#AK Rifle Powder Funnel - # 13015
#1 Locator Pin - # 13930

.30 M1 Carbine - # 20131

#8 Shellplate - # 13135
#C Powder Funnel - # 13564
#8 Locator Pin - # 14048

.30R Blaser - # 20270

#C Shellplate - # 13334
#B Powder Funnel - # 13587
#4 Locator Pin - # 14047

.30 Remington, .32 Remington - # 20184

#R Shellplate - # 13497
#B Powder Funnel - # 13587
#2 Locator Pin - # 14062

.30-30 Winchester, .32 Win. Special - # 20139

#7 Shellplate - # 12501
#B Powder Funnel - # 13587
#4 Locator Pin - # 14047

.30-40 Krag - # 20185

#P Shellplate - # 13134
#B Powder Funnel - # 13587
#4 Locator Pin - # 14047

.30-378, .300 Dakota - # 20249

#G Shellplate - # 13313
#.30 Cal. Long Mag Powder Funnel - # 15013
#7 Locator Pin - # 13436
(Requires Belted Magnum Powder System # 97126)

.300 RUM - # 20239

#B Shellplate - # 13347
#.30 Cal. Long Mag Powder Funnel - # 15013
#7 Locator Pin - # 13436
(Requires Extra Large Powder Die # 21253)
(Requires Belted Magnum Powder System # 97126)

.300 Savage - # 20190

#1 Shellplate - # 13692
#AK Powder Funnel - # 13015
#1 Locator Pin - # 13930

.300 Whisper - # 20236

#3 Shellplate - # 13684
#AK Rifle Powder Funnel - # 13015
#3 Locator Pin - # 14060

.300 Winchester Magnum - # 20188

#B Shellplate - # 13347
#B Powder Funnel - # 13587
#4 Locator Pin - # 14047
(Requires Magnum Powder Bar # 21353)

.300 WSSM, .300 RSAUM - # 20243

#B Shellplate - # 13347
#.300 Short Mag Powder Funnel - # 18415
#6 Locator Pin - # 15755
(Requires XL Powder Die # 21253)
(Requires Magnum Powder Bar # 21353)

.307 Winchester - # 20237

#L Shellplate - # 12703
#B Powder Funnel - # 13587
#1 Locator Pin - # 13930

.308/.30-06 - # 20130

#1 Shellplate - # 13692
#B Powder Funnel - # 13587
#1 Locator Pin - # 13930

7.62 x 39mm - # 20213

#A Shellplate - # 13211
#AK Rifle Powder Funnel - # 13015
#2 Locator Pin - # 14062

7.62 x 54R - # 20346

#G Shellplate - # 13313
#B Powder Funnel - # 13587
#7 Locator Pin - # 13436

.32-20 Winchester - # 20177

#O Shellplate - # 12013
#S Pistol Powder Funnel - # 12845
#3 Locator Pin - # 14060

.303 British - # 20183

#4 Shellplate - # 13610
#B Powder Funnel - # 13587
#4 Locator Pin - # 14047

8 x 57mm Mauser - # 20201

#1 Shellplate - # 13692
#M Powder Funnel - # 12963
#1 Locator Pin - # 13930

8 x 57IRS - # 20271

#N Shellplate - # 10004
#M Powder Funnel - # 12963
#4 Locator Pin - # 14047

8 x 57R - # 20201

#N Shellplate - # 10004
#M Powder Funnel - # 12963
#4 Locator Pin - # 14047

8 x 68mm - # 20272

#P Shellplate - # 13134
#M Powder Funnel - # 12963
#4 Locator Pin - # 14047

8mm Remington Magnum - # 20155

#B Shellplate - # 13347
#M Powder Funnel - # 12963
#4 Locator Pin - # 14047
(Requires Magnum Powder Bar # 21353)

.325 WSM - # 20891

#B Shellplate - # 13347
#.325 WSM Powder Funnel - # 18948
#6 Locator Pin - # 15755
(Requires XL Powder Die # 21253)
(Requires Magnum Powder Bar # 21353)

BL 550, RL 450 & RL 550B Caliber Conversion Chart

Kits include shellplate, locator buttons and flow-thru powder funnel.

.33 Winchester - # 20202

#G Shellplate - # 13313
#Q Powder Funnel - # 13406
#7 Locator Pin - # 13436
(Requires Magnum Powder Bar # 21353)

.338 Winchester, .340 Weatherby - # 20156

#B Shellplate - # 13347
#Q Powder Funnel - # 13406
#4 Locator Pin - # 14047
(Requires Magnum Powder Bar # 21353)

.338 RUM - # 20258

#B Shellplate - # 13347
#.338 Mag Rifle Powder Funnel - # 15012
#7 Locator Pin - # 13436
(Requires XL Powder Die # 21253)
(Requires Belted Magnum Powder System # 97126)

.338 Lapua - # 20257

#G Shellplate - # 13313
#.338 Mag Rifle Powder Funnel - # 15012
#7 Locator Pin - # 13436
(Requires Belted Magnum Powder System # 97126)

.348 Winchester - # 20217

#T Shellplate - # 12808
#P Rifle Powder Funnel - # 13187
#7 Locator Pin - # 13436

.35 Remington - # 20166

#M Shellplate - # 13230
#P Rifle Powder Funnel - # 13187
#2 Locator Pin - # 14062

.35 Winchester - # 20168

#P Shellplate - # 13134
#P Rifle Powder Funnel - # 13187
#4 Locator Pin - # 14047

.356 Winchester - # 20238

#L Shellplate - # 12703
#P Rifle Powder Funnel - # 13187
#1 Locator Pin - # 13930

.357 Herrett - # 20172

#7 Shellplate - # 12501
#D Pistol Powder Funnel - # 13599
#4 Locator Pin - # 14047

.358 Norma Mag, .350 Rem - # 20167

#B Shellplate - # 13347
#P Rifle Powder Funnel - # 13187
#4 Locator Pin - # 14047

.35 Whelen/.358 Winchester - # 20170

#1 Shellplate - # 13692
#P Rifle Powder Funnel - # 13187
#1 Locator Pin - # 13930

.38-55, .375 Winchester - # 20226

#7 Shellplate - # 12501
#V Rifle Powder Funnel - # 13344
#4 Locator Pin - # 14047

.375 H&H, .375 Weatherby - # 20204

#B Shellplate - # 13347
#R Rifle Powder Funnel - # 13531
#4 Locator Pin - # 14047
(Requires Magnum Powder Bar # 21353)

.375 Ruger - # 20497

#B Shellplate - # 13347
#R Rifle Powder Funnel - # 13531
#6 Locator Pin - # 15755
(Requires Magnum Powder Bar # 21353)

.375 RUM - # 20261

#B Shellplate - # 13347
#.378 Rifle Powder Funnel - # 15010
#7 Locator Pin - # 13436
(Requires Belted Magnum Powder System # 97126)

.376 Steyr - # 20260

#P Shellplate - # 13134
#R Rifle Powder Funnel - # 13531
#4 Locator Pin - # 14047
(Requires Magnum Powder Bar # 21353)

.378 Weatherby - # 21665

#G Shellplate - # 13313
#.378 Rifle Powder Funnel - # 15010
#7 Locator Pin - # 13436
(Requires Belted Magnum Powder System # 97126)

9.3 x 62mm - # 20273

#1 Shellplate - # 13692
#R Rifle Powder Funnel - # 13531
#1 Locator Pin - # 13930

9.3 x 64mm, 9.3 x 74R - # 20274

#P Shellplate - # 13134
#R Rifle Powder Funnel - # 13531
#4 Locator Pin - # 14047

.38-40 Winchester - # 20178

#N Shellplate - # 10004
#W Pistol Powder Funnel - # 13600
#4 Locator Pin - # 14047

.40-65 Winchester - # 20264

#G Shellplate - # 13313
#.40 Cal Rifle Powder Funnel - # 11151
#7 Locator Pin - # 13436

.416 Remington Magnum - # 20771

#B Shellplate - # 13347
#RM Rifle Powder Funnel - # 13415
#4 Locator Pin - # 14047
(Requires Magnum Powder Bar # 21353)

.416 Weatherby - # 20262

#G Shellplate - # 13313
#.416 Rifle Powder Funnel - # 10222
#7 Locator Pin - # 13436
(Requires Belted Magnum Powder System # 97126)

.44-40 Winchester - # 20206

#N Shellplate - # 10004
#.44-40 Pistol Powder Funnel - # 13600
#4 Locator Pin - # 14047

.444 Marlin - # 20164

#N Shellplate - # 10004
#X Pistol Powder Funnel - # 12920
#4 Locator Pin - # 14047

.45-70 Government - # 20143

#G Shellplate - # 13313
#T Pistol Powder Funnel - # 13407
#7 Locator Pin - # 13436

.458 Win Mag, .450 Marlin - # 20161

#B Shellplate - # 13347
#T Pistol Powder Funnel - # 13407
#4 Locator Pin - # 14047
(Requires Magnum Powder Bar # 21353)

.460 Weatherby - # 21664

#G Shellplate - # 13313
#.460 Rifle Powder Funnel - # 15009
#7 Locator Pin - # 13436
(Requires Belted Magnum Powder System # 97126)

.50 Beowulf - # 20467

#A Shellplate - # 13211
#.50 Pistol Powder Funnel - # 14465
#2 Locator Pin - # 14062
(Requires Extra Large Powder Die # 21253)

BL 550, RL 450 & RL 550B Caliber Cross Reference Chart

<u>Shellplate 1 Locator Button 1</u>		<u>Shellplate 6 Locator Button 1</u>		<u>Shellplate C Locator Button 4</u>	
Powder Funnel		Powder Funnel		Powder Funnel	
.22 BR	A - #13426	.41 Magnum	H - #13240	.45 Colt/.45 Schofield	E - #13782
.22-250	A - #13426	Shellplate 7 Locator Button 4		.454 Casull	E - #13782
.240 Weatherby Mag.	I - #13305	.219 Donaldson Wasp	A - #13426	.455 Webley	E - #13782
.243 Winchester	I - #13305	.219 Zipper	A - #13426	Shellplate D Locator Button 3	
.250 Savage - .250/3000	K - #13216	.22 Savage Hi Power	A - #13426	.32 S&W Long	S - #12845
.25-06	K - #13216	.25-35 Winchester	K - #13216	.32 H&R Magnum	S - #12845
.257 Ackley Improved	K - #13216	7mm International Rimmed	N - #13014	Shellplate E Locator Button 8	
.257 Roberts	K - #13216	7-30 Waters	N - #13014	.22 Hornet - K Hornet	A - #13426
6mm BR	6PPC - #13085	.38-55 Win. Ballard	543V - #13344	Shellplate G Locator Button 7	
6mm Remington - .244	I - #13305	.30 Herrett	AK - #13015	7.62 x 54 Russian	B - #13587
.260 Rem./6.5 x 284	Y - #12870	.30-30 Winchester	B - #13587	.30-378/.300 Dakota	300 - #15013
6.5 x 55 Swedish Mauser	Y - #12870	.32-40 Winchester	B - #13587	.33 Win.	Q - #13406
6.5-06	Y - #12870	.32 Winchester Special	B - #13587	.338 Lapua/.330 Dakota	338 - #15012
7mm BR	N - #13014	.357 Herrett	D - #13599	.378 Wby. Mag.	544378 - #15010
7mm Int'l	N - #13014	.375 Super Magnum	543V - #13344	.40-65	RM - #13415
7mm-08 Rem.	J - #13456	Shellplate 8 Locator Button 8		.404 Jeff	416 - #10222
7 x 57 Mauser	J - #13456	.30 M1 Carbine	C - #13564	.416 Rigby & W'by	416 - #10222
7 x 64 Brenneke	J - #13456	.32 ACP - 7.65mm	S - #12845	.45-70 Gov't	543T - #13407
7mm Express - .280 Rem.	J - #13456	.32 Short Colt	S - #12845	.460 Wby. Mag.	544460 - #15009
7.5 x 55 Swiss	B - #13587	Shellplate 50 Locator Button 4		.480 Ruger/.475 Linebaugh	E - #13782
7.65 Bel-Arg	B - #13587	.50 AE	50AE - #14465	Shellplate H Locator Button 4	
7.7 Japanese Arisaka	B - #13587	Shellplate A Locator Button 2		.45 Auto Rim	E - #13782
.270 Winchester	J - #13456	.22 PPC	A - #13426	Shellplate I Locator Button 1	
.284 Winchester	J - #13456	.224 Weatherby Magnum	A - #13426	.220 Swift	L - #10831
.30-06	B - #13587	6 PPC	6PPC - #13085	.225 Winchester	L - #10831
.300 Savage	AK - #13015	7.62 x 39 Russian	AK - #13015	6.5 Japanese Arisaka	Y - #12870
.308 - 7.62 NATO	B - #13587	Shellplate B Locator Button 4		7mm Merrill	N - #13014
8mm Mauser	M - #12963	.257 Wby. Mag.	K - #13216	.30 Merrill	AK - #13015
.358 Winchester	P - #13187	.264 Win. Mag.	Y - #12870	.307 Winchester	B - #13587
.35 Whelen	P - #13187	6.5mm Rem. Mag.	Y - #12870	.356 Winchester	P - #13187
.40 Super/.400 Corbon	W - #13600	.270 Wby. Mag.	J - #13456	.45 Winchester Magnum	E - #13782
.45 ACP	E - #13782	7mm Rem. Mag.	J - #13456	Shellplate M Locator Button 2	
Shellplate 2 Locator Button 2		7mm STW	J - #13456	6.5 x 52 Carcano	Y - #12870
.22 Rem. Jet	A - #13426	7mm Wby. Mag.	J - #13456	6.5 mm x 54 Mann-Scho	Y - #12870
.256 Win. Mag.	543R - #13243	.30-338 Win. Mag.	B - #13587	.35 Remington	P - #13187
.38 LC	D - #13599	.300 Win. Mag.	B - #13587	Shellplate N Locator Button 4	
.38 Sp.-.357 Mag./Max.	D - #13599	.300 Win. Short	300 - #15013	.38-40 Winchester	W - #13600
Shellplate 3 Locator Button 3		.300 H&H Mag.	B - #13587	.44-40 Winchester	G - #13427
.17 Remington	O - #12921	.300 Wby. Mag.	B - #13587	.444 Marlin	543X - #12920
.204 Ruger	204 Ruger - #20322	.308 Norma Mag.	B - #13587	Shellplate O Locator Button 3	
.221 Rem. Fire Ball	A - #13426	8mm Rem. Mag.	M - #12963	.218 Bee	A - #13426
.222 Rem. - Rem. Mag.	A - #13426	.338 Win. Mag.	Q - #13406	.25-20 Winchester	543R - #13243
.223 - 5.56 mm	A - #13426	.340 Wby. Mag.	Q - #13406	.32-20 Winchester	S - #12845
6mm TCU	6PPC - #13085	.350 Rem. Mag.	P - #13187	.38 AMU	F - #13806
7mm TCU	N - #13014	.358 Norma Mag.	P - #13187	Shellplate P Locator Button 4	
.300 Whisper	AK - #13015	.375 H&H	544R - #13531	.30-40 Krag	B - #13587
.380 ACP	F - #13806	.375 Weatherby Mag.	544R - #13531	.35 Winchester	P - #13187
Shellplate 4 Locator Button 4		.416 Rem. Mag.	544RM - #13415	.376 Steyr	R - #13547
.303 British	B - #13587	.450 Marlin/.470 Nitro	T - #13407	Shellplate R Locator Button 2	
.44 Colt/.44 Russian	G - #13427	.458 Winchester Mag.	543T - #13407	.25 Remington	K - #13216
.44 Special - Magnum	G - #13427	Shellplate B Locator Button 6		.30 Rem. - .32 Rem.	B - #13587
Shellplate 5 Locator Button 2		.223 WSSM	223 Short Mag. - #18417	Shellplate T Locator Button 7	
9x25 Dillon/.357 SIG	F - #13806	.243 WSSM	243 Short Mag. - #11156	.348 Win.	P - #13187
10mm/.40 S&W	W - #13600	.25 WSSM	25 Short Mag. - #11157	Shellplate U Locator Button 2	
Shellplate 5 Locator Button 3		7 Ultra & WSM	7mm - #15019	.38 S&W	F - #13806
.30 Luger	C - #13564	.270 WSM	7mm - #15019		
.30 Mauser	C - #13564	.300 Ultra	300 - #15013		
9 x 18 Makarov	9 - #14980	.300 WSM	30 Short Mag. - #18415		
9mm Luger	F - #13806	.338 Ultra	338 - #15012		
.38 Super	F - #13806	.375 Ultra Mag.	378 - #15010		
.41 AE	AE - #13180	.375 Ruger	R Rifle - #13531		